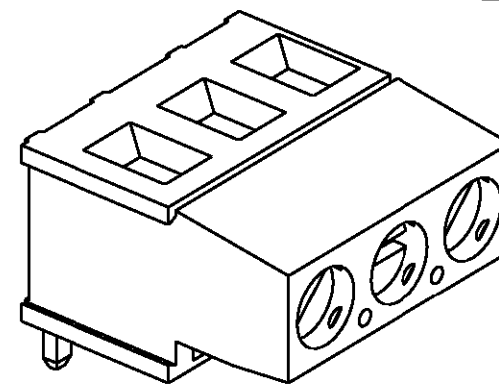
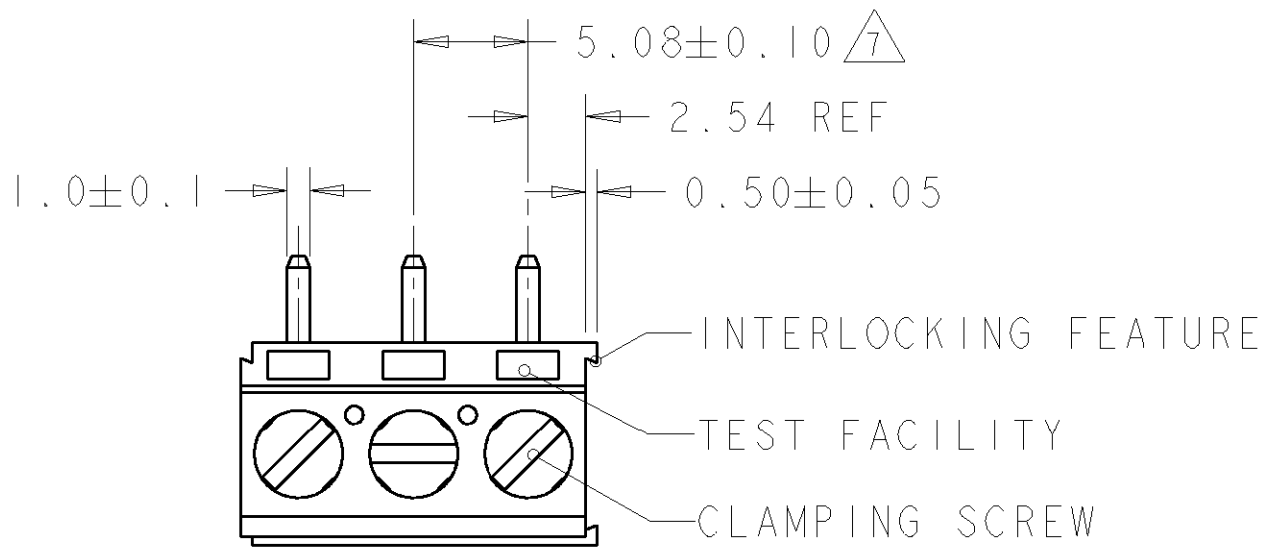


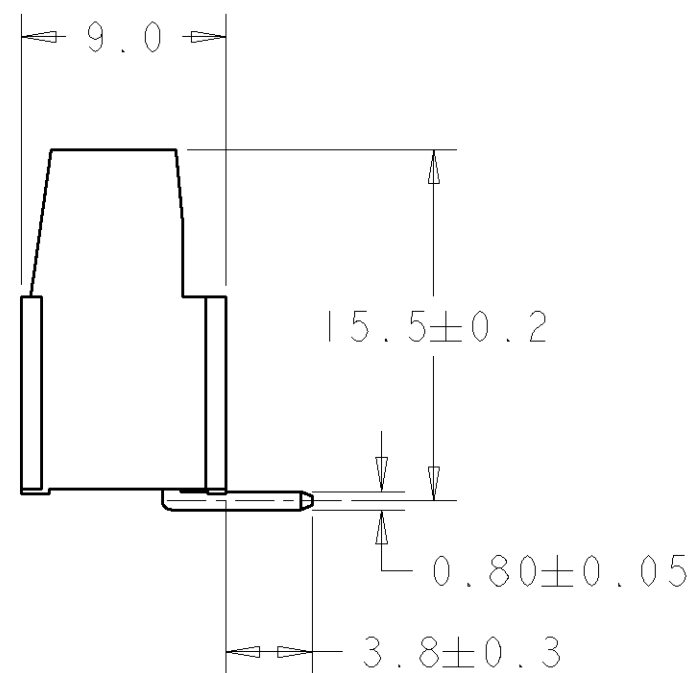
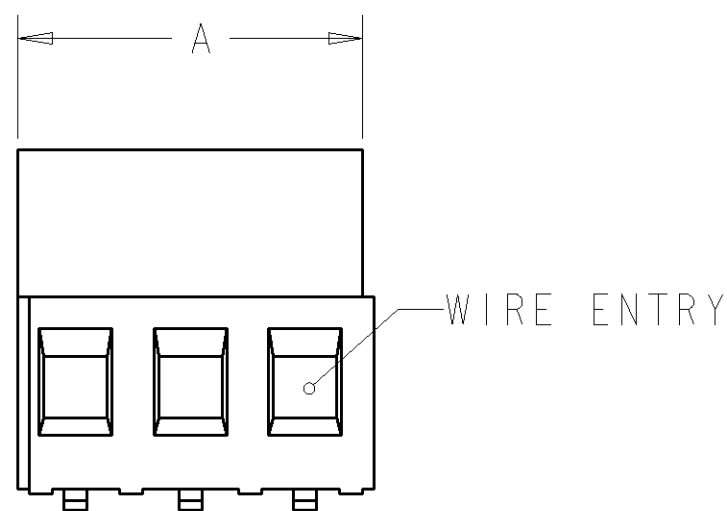
THIS DRAWING IS UNPUBLISHED. RELEASED FOR PUBLICATION 20
 © COPYRIGHT 20 BY TYCO ELECTRONICS CORPORATION. ALL RIGHTS RESERVED.

| LOC | DIST | REVISIONS | | | |
|-----|------|-------------|--------------------------|-----------|-------|
| P | LTR | DESCRIPTION | DATE | DWN | APVD |
| FT | 0 | | | | |
| | | C | REVISED PER 0G3B-0119-01 | 20AUG2001 | EZ DB |

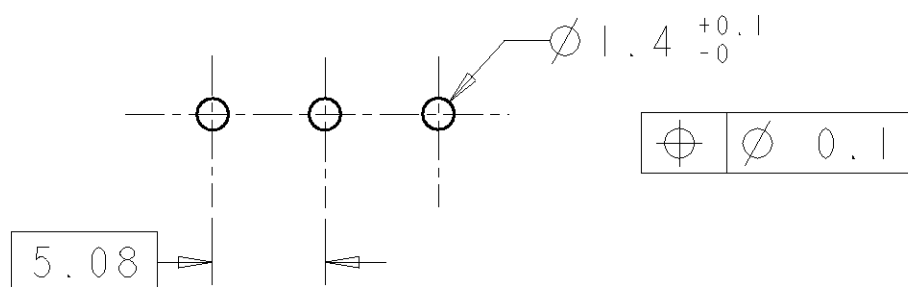


282851-3 AS SHOWN

| DIM A | No OF POS | PART NUMBER |
|--------|-----------|-------------|
| 127.00 | 25 | 2-282851-5 |
| 121.92 | 24 | 2-282851-4 |
| 116.84 | 23 | 2-282851-3 |
| 111.76 | 22 | 2-282851-2 |
| 106.68 | 21 | 2-282851-1 |
| 101.60 | 20 | 2-282851-0 |
| 96.52 | 19 | 1-282851-9 |
| 91.44 | 18 | 1-282851-8 |
| 86.36 | 17 | 1-282851-7 |
| 81.28 | 16 | 1-282851-6 |
| 76.20 | 15 | 1-282851-5 |
| 71.12 | 14 | 1-282851-4 |
| 66.04 | 13 | 1-282851-3 |
| 60.96 | 12 | 1-282851-2 |
| 55.88 | 11 | 1-282851-1 |
| 50.80 | 10 | 1-282851-0 |
| 45.72 | 9 | 282851-9 |
| 40.64 | 8 | 282851-8 |
| 35.56 | 7 | 282851-7 |
| 30.48 | 6 | 282851-6 |
| 25.40 | 5 | 282851-5 |
| 20.32 | 4 | 282851-4 |
| 15.24 | 3 | 282851-3 |
| 10.16 | 2 | 282851-2 |



RECOMMENDED PCB LAYOUT

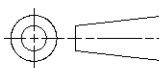


| | | | | | |
|---|--|--|--|---|--|
| <small>THIS DRAWING IS A CONTROLLED DOCUMENT FOR TYCO ELECTRONICS CORPORATION IT IS SUBJECT TO CHANGE AND THE CONTROLLING ENGINEERING ORGANIZATION SHOULD BE CONTACTED FOR THE LATEST REVISION.</small> | | DWN 20AUG2001 E. ZANOLINI CHK 20AUG2001 D. BIEVENOUR APVD 20AUG2001 D. BIEVENOUR | | BUCHANAN Tyco Electronics Harrisburg, PA 17105-3608 | |
| DIMENSIONS: mm | | TOLERANCES UNLESS OTHERWISE SPECIFIED: 0 PLC ±- 1 PLC ±.3 2 PLC ±.25 3 PLC ±- 4 PLC ±- ANGLES ±2 | | PRODUCT SPEC 108-20166 APPLICATION SPEC 114-20079 | |
| MATERIAL | | FINISH | | NAME TERMINAL BLOCK PCB MOUNT TOP ENTRY WIRE, STACKING W/INTERLOCK, 5.08mm PITCH | |
| CUSTOMER DRAWING | | WEIGHT - | | SIZE A3 CAGE CODE 00779 DRAWING NO C=282851 RESTRICTED TO - | |
| | | SCALE 3:1 | | SHEET 1 OF 2 REV C | |

THIS DRAWING IS UNPUBLISHED. RELEASED FOR PUBLICATION 20
 © COPYRIGHT 20 BY TYCO ELECTRONICS CORPORATION. ALL RIGHTS RESERVED.

| LOC | DIST | REVISIONS | | | | | |
|-----|------|-----------|-----|-------------|------|-----|------|
| | | P | LTR | DESCRIPTION | DATE | DWN | APVD |
| FT | 0 | | - | SEE SHEET 1 | - | - | - |
| | | | | | | | |
| | | | | | | | |

- 1 MATERIALS AND FINISH
 HOUSING: PA 6-6, UL 94-V0, COLOR GREEN.
 CLAMP: BRASS, NICKEL PLATED.
 TERMINAL: BRASS, TIN PLATED.
 CLAMPING SCREW: M3, BRASS, NICKEL PLATED.
 - 2 SUITABLE FOR 1,6-2,4mm PC BOARD THICKNESS.
 - 3 END-TO-END STACKABLE W/INTERLOCK WITHOUT LOSS OF CENTERLINE SPACING.
 - 4 WIRE SIZE RANGE
 SOLID WIRE: 0,03-2,5mm² (13AWG).
 STRANDED WIRE: 0,03-1,5mm² (15AWG).
 - 5 RECOGNIZED UNDER THE COMPONENT PROGRAM OF UNDERWRITERS LABORATORIES INC. FILE N° E60677.
 - 6 IMQ CERTIFICATE WITH SURVEILLANCE IN CONFORMITY WITH IEC 998-1/998-2-1.
- 7 NOT CUMULATIVE TOLERANCE.

| | | | | | |
|---|--|---|--|---|--|
| <small>THIS DRAWING IS A CONTROLLED DOCUMENT FOR TYCO ELECTRONICS CORPORATION IT IS SUBJECT TO CHANGE AND THE CONTROLLING ENGINEERING ORGANIZATION SHOULD BE CONTACTED FOR THE LATEST REVISION.</small> | | DWN 20AUG2001 E. ZANOLINI CHK 20AUG2001 D. BIEVENOUR APVD 20AUG2001 D. BIEVENOUR | | BUCHANAN Tyco Electronics Harrisburg, PA 17105-3608 | |
| DIMENSIONS: mm  | | TOLERANCES UNLESS OTHERWISE SPECIFIED: 0 PLC ±- 1 PLC ±- 2 PLC ±- 3 PLC ±- 4 PLC ±- ANGLES ±- | | NAME TERMINAL BLOCK PCB MOUNT TOP ENTRY WIRE, STACKING W/INTERLOCK, 5.08mm PITCH | |
| MATERIAL - FINISH - | | PRODUCT SPEC - APPLICATION SPEC - WEIGHT - | | SIZE A3 CAGE CODE 00779 DRAWING NO C-282851 RESTRICTED TO - | |
| CUSTOMER DRAWING | | | | SCALE 3:1 SHEET 2 OF 2 REV C | |